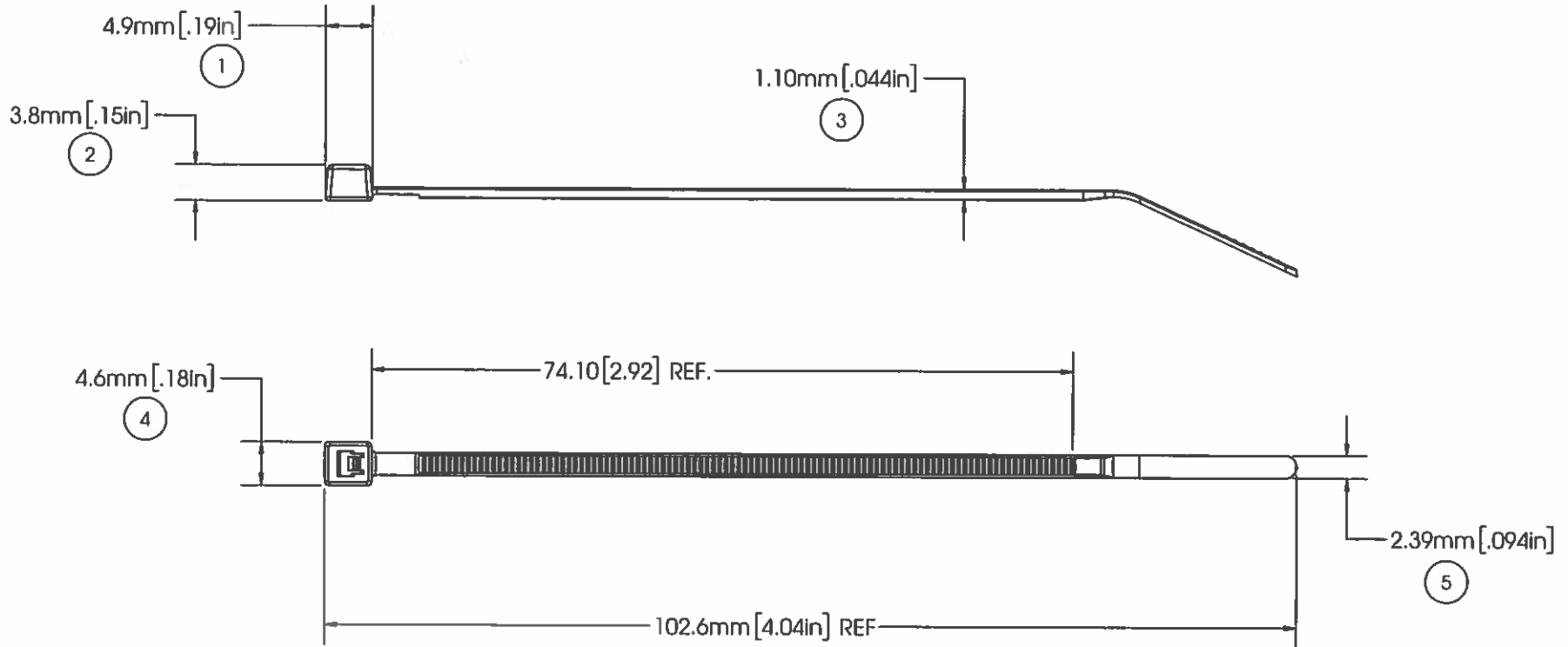


AVERY DENNISON MARKETING SPECIFICATION

HISTORY

REV.	DATE	DESCRIPTION
A	2/27/17	INITIAL RELEASE

THE SUBJECT MATTER DISCLOSED HEREIN EMBODIES PROPRIETARY INFORMATION WHICH IS THE CONFIDENTIAL PROPERTY OF THE AVERY DENNISON CO. NONE OF WHICH SHALL BE COPIED, REPRODUCED, DISCLOSED TO OTHERS, PUBLISHED OR USED IN WHOLE OR IN PART, FOR ANY PURPOSE OTHER THAN THAT FOR WHICH IT IS BEING MADE AVAILABLE WITHOUT THE EXPRESS ADVANCE WRITTEN PERMISSION OF A DULY AUTHORIZED AGENT OF THE COMPANY. THIS DOCUMENT IS THE PROPERTY OF THE AVERY DENNISON CO. AND IS TO BE RETURNED TO THE COMPANY ON DEMAND.



⑥	Δ LOOP TENSILE:	18 LBF / 80N MIN.
⑦	Δ FLAMMABILITY:	HB RATED PER FMVSS302
	OPERATING TEMP RANGE:	-40°F (-40°C) TO 302°F (150°C) CONTINUOUS AND 329°F (165°C) AT MAXIMUM EXPOSURE
	MIN. INSTALLATION TEMP:	32°F (0°C)
	WEIGHT:	0.3 g. / 0.01 oz
	BUNDLE DIAMETER:	Ø 1.6mm (.06in) TO Ø 2.2mm (.87in)
	TOOL:	12001 - HAND INSTALLATION TOOL 12500 - PNUEM. INSTALLATION TOOL
	TOOL TENSION SETTING:	1 - 3
	PACKAGING:	1000/BAG 25000/CASE

NOTES:

1. Δ INDICATES A SPECIAL CHARACTERISTIC

APPROVALS:	ENG. APPR. <i>[Signature]</i> 2/27/17
	Q.A. APPR. <i>[Signature]</i> 2/27/17

SPECIFIED TOLERANCES ARE:	
.XX ± .03 IN.	.X ± .7 MM
.XXX ± .010 IN.	.XX ± .25 MM
ANGULAR: ± 2°	

MATERIAL NYLON 6/6, IMPACT MODIFIED HEAT STABILIZED	DESCRIPTION 4 " CABLE TIE MINIATURE, HIGH HEAT
COLOR BROWN	STOCK NO. 08404-HHBN

AVERY DENNISON

FASTENER DIVISION
FITCHBURG, MA 01420 U.S.A.
TEL. 1-800-225-5913
FAX. 978-353-8157

STOCK NO. 08404-HHBN	REV. A
--------------------------------	------------------

5

4

3

2

1